

**ASMPT** enabling the  
digital world



# SIPLACE X S

Maximum capacity for an intelligent factory

# MAXIMUM PLACEMENT PERFORMANCE

## SIPLACE X S

### THE NEW STANDARD IN HIGH-VOLUME PRODUCTION

Tailor-made for your production, the new SIPLACE X S is the machine of choice for demanding high-volume applications. Robust placement heads and intelligent feeders ensure an extremely fast placement process while smart sensors and a unique digital vision system provide maximum precision and process reliability. Innovations like fast and precise PCB warpage detection complete the overall package.

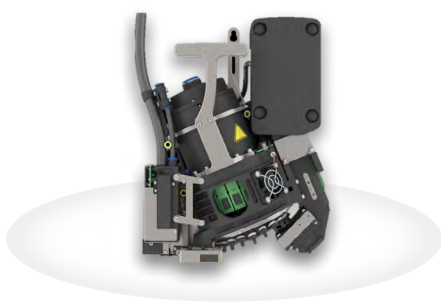
The SIPLACE X S is the perfect solution for telecommunication/5G, IT/ server and other demanding applications where you want to be a step ahead of the competition with non-stop processes, maximum yields, extreme productivity, and the lowest placement costs.



Modular, flexible, open – Standard interfaces and a growing number of automation options make the SIPLACE X S the number one choice for your demanding high-volume production applications in the intelligent factory.

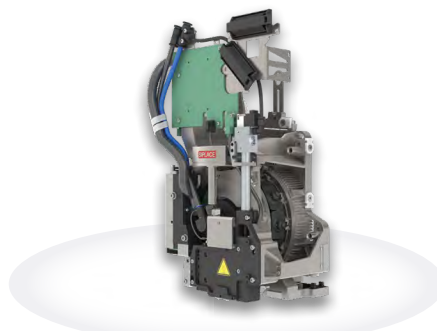
## THE HEAD MAKES THE DIFFERENCE

### THREE INNOVATIVE PLACEMENT HEADS DELIVER PERFORMANCE, FLEXIBILITY AND BALANCE.



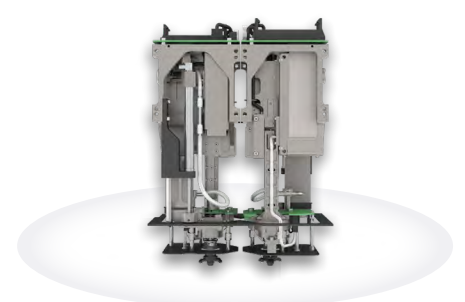
#### Placement Head CP20

- Component spectrum: 0201 metric to 8.2 mm x 8.2 mm x 4 mm
- Extremely fast with up to 43,000 cph



#### Placement Head CPP

- Switches from pick-and-place to collect-and-place to mixed mode
- Component height: Up to 15.5 mm
- Component weight: Up to 20 g



#### Placement Head TWIN

- Component height: Up to 25 mm
- Component weight: Up to 160 g
- Snap-in detection

# OUR GOAL: REDUCING PLACEMENT COSTS



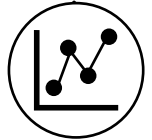
## Maximum performance

Innovative placement modes raise the placement performance to up to 172,000 cph



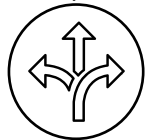
## Maximum placement quality

The unique digital vision system, sensor technology and smart feeders ensure maximum placement quality



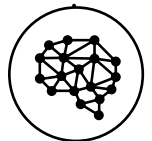
## Total flexibility

Intelligent placement head technologies ensure perfectly balanced lines with any product mix



## Smart solution

Intelligent, self-healing systems and state-of-the-art software reduce manual assists to an absolute minimum



## Predictive maintenance

Sensors and software capture the machine's behavior for predictive and preventive maintenance



## SMART WORKFLOWS

### WORKS SOFTWARE SUITE

With the WORKS Software Suite, you get the most out of your SIPLACE X S high-volume production line and lay the foundation for your intelligent factory. It makes your employees' work easier in their respective areas, controls and optimizes the production flow, and calculates the component requirements during the assembly process. AMR fleet management applications and enterprise solutions such as MES and ERP software can be easily connected.

Open and standard-based interfaces such as IPC-HERMES-9852 and IPC-CFX ensure consistent M2M and M2H communication.

More about the  
SIPLACE X S



# SIPLACE X S

Technical data*	SIPLACE X2 S	SIPLACE X3 S	SIPLACE X4 S
Speed (benchmark rating**)	75,000 cph	112,500 cph	150,000 cph
Speed (IPC rating)	65,000 cph	97,050 cph	130,000 cph
Feeder slots	160 x 8 mm		
Component spectrum	0201 metric to 200 mm × 110 mm × 25 mm		
Board sizes	50 mm × 50 mm to 850 mm × 685 mm		
Machine dimensions (L x W x H)	1.9 m × 2.6 m × 1.6 m		
Placement heads	Placement Head CP20, Placement Head CPP, Placement Head TWIN		
Placement accuracy	22 µm @ 3 σ (with Placement Head TWIN)		
Conveyors	Single conveyor, flexible dual conveyor		

\* Professional maintenance in accordance with the intervals and scope recommended by ASMPT ensures that your SIPLACE equipment complies with specified performance and accuracy values across its entire life cycle. We offer custom-tailored maintenance contracts. Please contact us.

\*\* SIPLACE benchmark

## ASMPT

ASMPT GmbH & Co. KG

Rupert-Mayer-Strasse 48 | 81379 Munich | Germany | Phone: +49 89 20800-22000 | Email: [smt-solutions.de@asmpt.com](mailto:smt-solutions.de@asmpt.com)

[asmpt.com](http://asmpt.com) | [smt.asmpt.com](http://smt.asmpt.com)

Edition 3/08-2024 | All rights reserved. | Order No.: A10011-ASMPT-A314-EN | Printed in Germany | © ASMPT GmbH & Co. KG

All information and illustrations in this brochure are provided "as is" and without any warranties of any kind, whether expressed or implied, including but not limited to, implied warranties of satisfactory quality, fitness for a particular purpose and/or correctness.

The contents of this brochure are for general information purposes only, do not constitute advice, and are subject to change without notice. ASMPT therefore makes no warranties or representations regarding the use of the content, details, specifications or information contained in this brochure in terms of their correctness, accuracy, adequacy, usefulness, timeliness, reliability or otherwise, in each case to the fullest extent permitted by law. Please contact ASMPT for the most current information. Any specific performance features and/or capabilities will only be binding if contractually agreed upon.

All product names are brands or trademarks of ASMPT or other suppliers. Unauthorised use by third parties may violate the rights of their owners.